



FEATURES 功能叙述

- 8Keys piano with 8/8 demo tunes
- Built-in digital envelope
- With vibration function

KEY SONG LIST

- K1 HAPPY BIRTH DAY TO YOU
- K2 TWINKLE TWINKLE LITTLE STAR
- K3 JINGLE BELLS
- K4 LONDON BRIDGE FALLING DOWN
- K5 MARY HAD A LITTLE LAMB
- K6 ARE YOU SLEEPING
- K7 HOME SWEET HOME
- K8 ROW,ROW,ROW YOUR BOAT

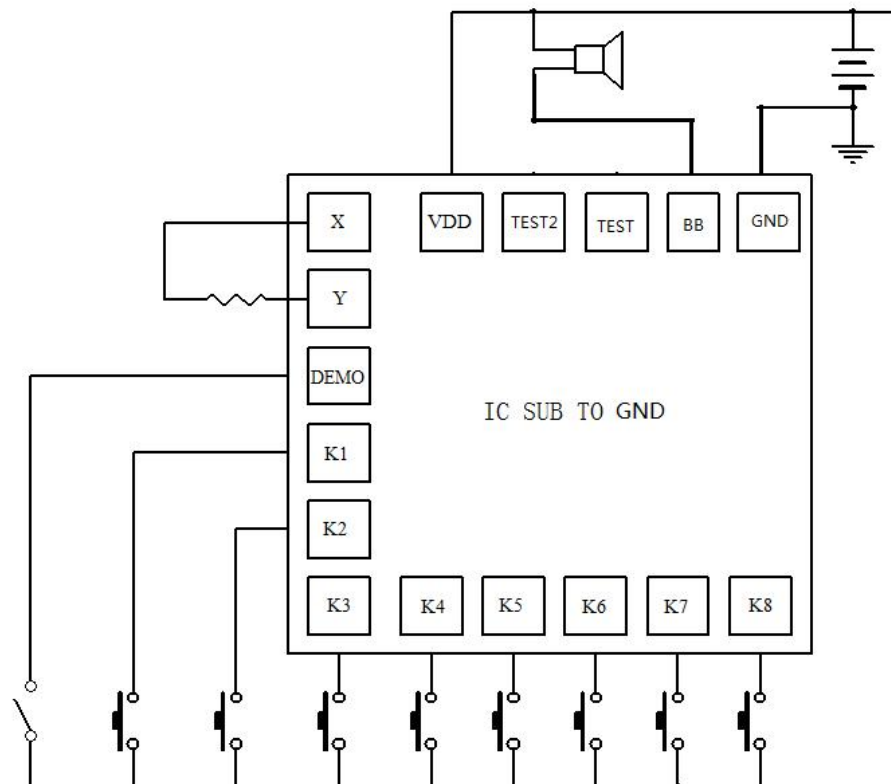
APPLICATION 产品应用

*Melody card,Melody module,Toys

ELECTRICAL CHARACTERISTICS 电气规格

Characteristics	Sym	Min	Typ	Max	Unit	REMARKS
工作电压 Operating Voltage	VDD	2.4	3	4.5	V	
工作电流 Operating Current	Iop	--	0.2	0.6	mA	No load
静态电流 Quiescent Current	I _{sb}	--	2	5	μA	
推动电流 BZ Driving Current	I _o	3	--	--	mA	@V _{ds} =1V
振荡频率 Oscillator Frequency	Fosc	--	155	--	KHz	可外接电阻调快声音
工作温度 Operating Temperature	TEMP	0	25	60	°C	

APPLICATION DIAGRAM 电路原理图



如上图，X 和 Y 脚可接一个电阻根据需要调快声音，一般可加 3.9M 电阻调快。