



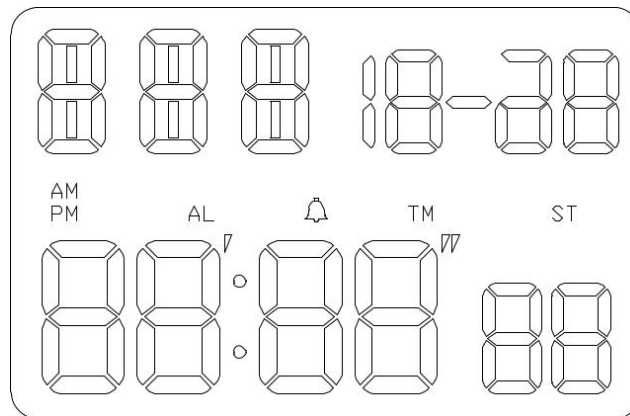
特性

- 单个晶片 CMOS 功能;
- 3/4 键操作;
- 32768Hz 晶振频率;
- 3.0 伏电池工作;
- 功耗低;
- 1 个打线选择 (BOP 接 VDD 有年份;接 GND 无年份);
- 按键音调声。

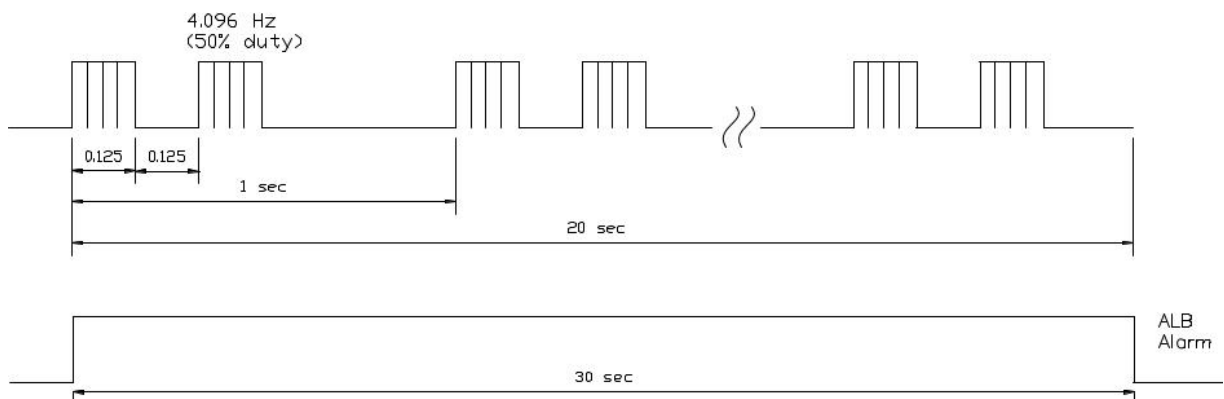
功能

- 7 功能: 月, 日, 周(年份), 小时, 分, 秒和第二时间;
- 6 位元码表显示;
- 倒计时上限为 24 小时;
- 用户选择 12/24 小时功能;
- 整时报时功能;
- 闹铃功能。

LCD 图



闹铃输出波形

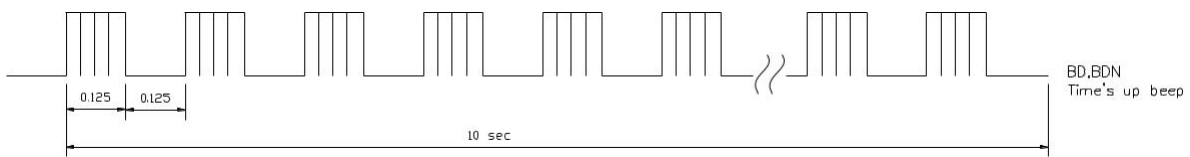




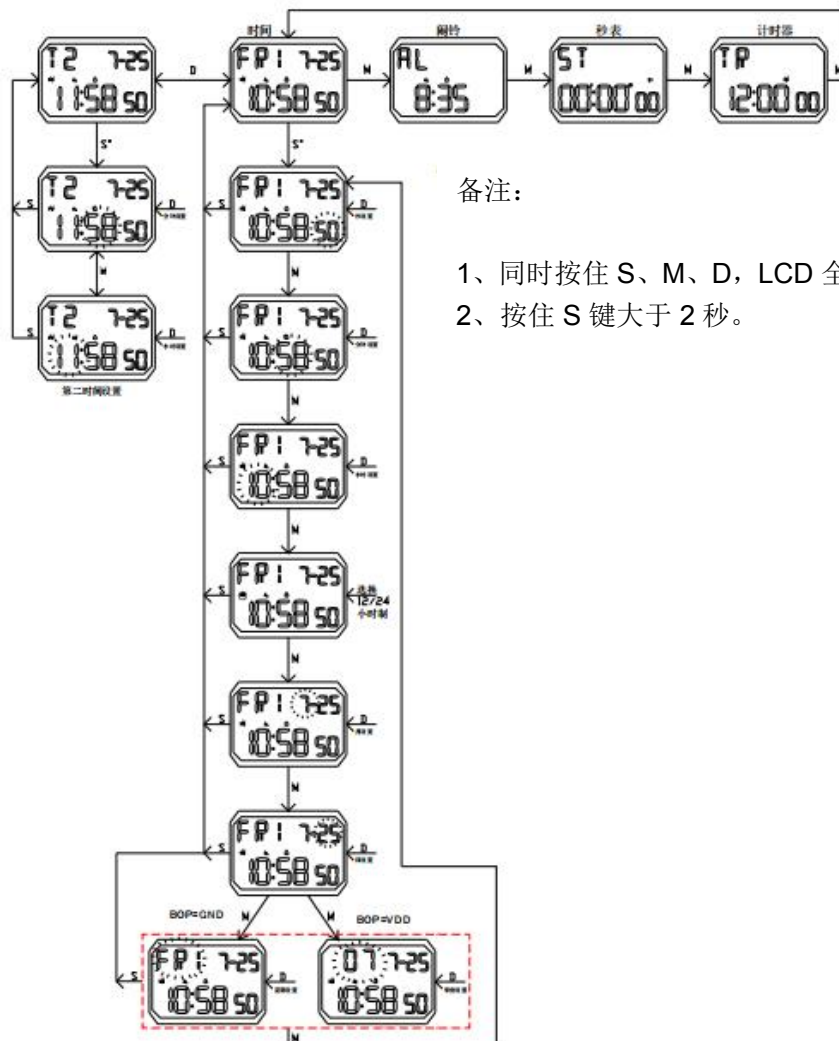
整点报时



计时器输出波形



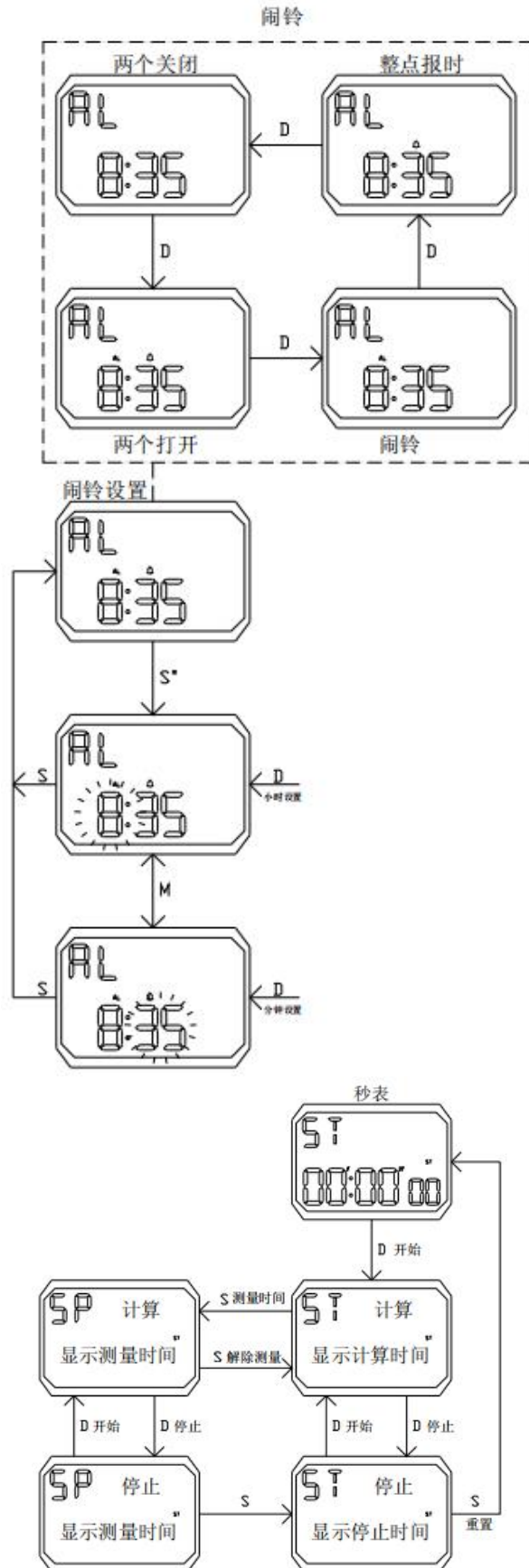
设置顺序和转换操作

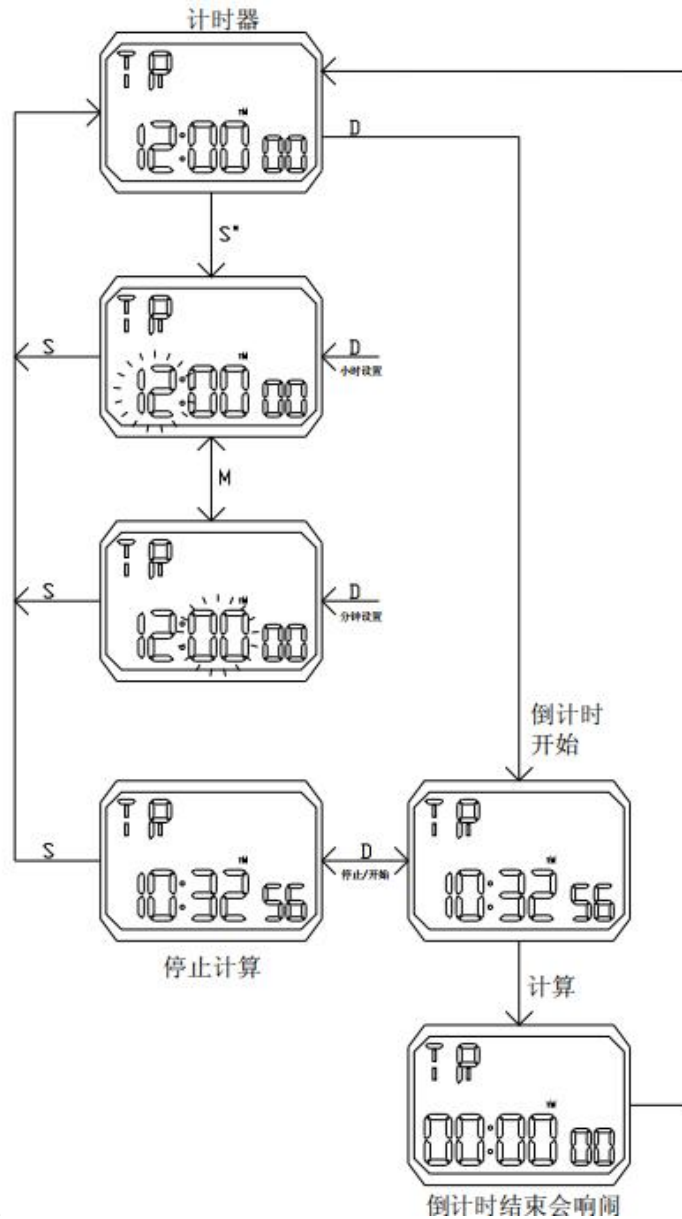


备注:

- 1、同时按住 S、M、D, LCD 全显, 放手恢复原来状态。
- 2、按住 S 键大于 2 秒。

实时数据设置



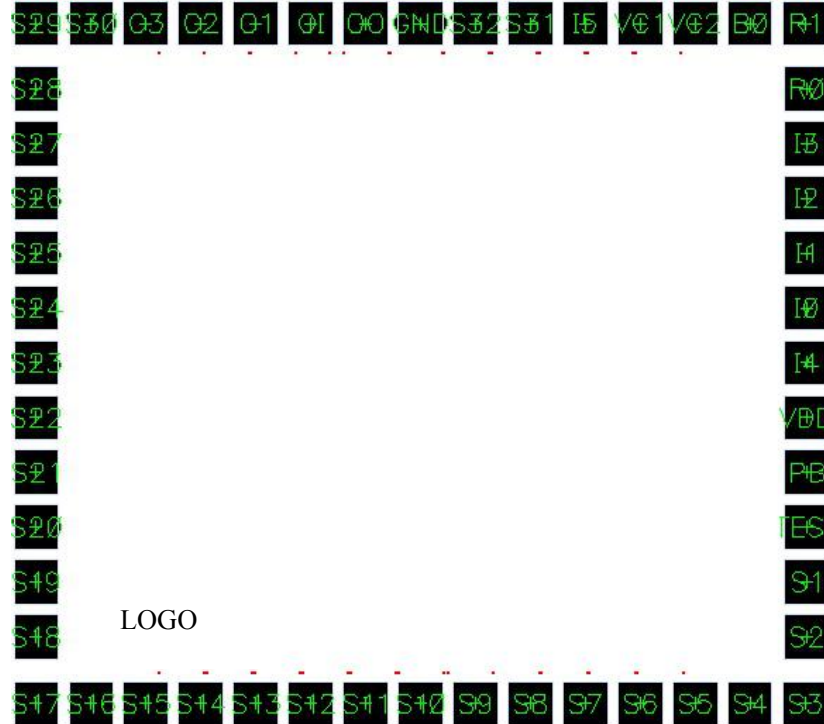


备注:

若不停止倒数计时器，即使退出倒数计时器功能画面，倒数亦会继续进行。



脚点阵图



I. C. Substrate is connected to GND.

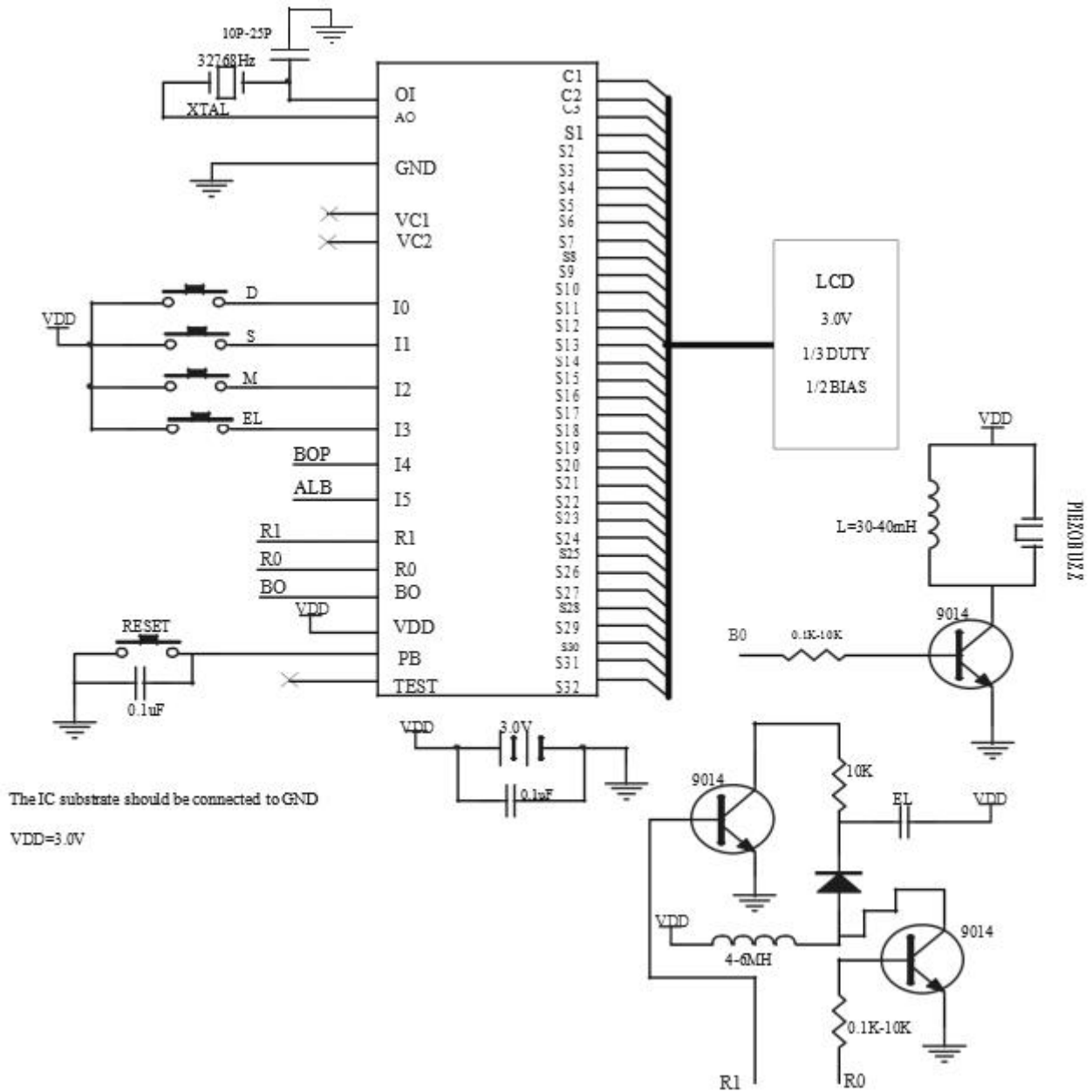


脚位坐标

| | | | |
|------|----------------------|-----|----------------------|
| S17 | (88.95 , 91.85) | R1 | (1292.95 , 1158.10) |
| S16 | (174.95 , 91.85) | B0 | (1206.95 , 1158.10) |
| S15 | (260.95 , 91.85) | VC2 | (1120.95 , 1158.10) |
| S14 | (346.95 , 91.85) | VC1 | (1034.95 , 1158.10) |
| S13 | (432.95 , 91.85) | I5 | (948.95 , 1158.10) |
| S12 | (518.95 , 91.85) | S31 | (862.95 , 1158.10) |
| S11 | (604.95 , 91.85) | S32 | (776.95 , 1158.10) |
| S10 | (690.95 , 91.85) | GND | (690.95 , 1158.10) |
| S9 | (776.95 , 91.85) | 00 | (604.95 , 1158.10) |
| S8 | (862.95 , 91.85) | 0I | (518.95 , 1158.10) |
| S7 | (948.95 , 91.85) | C1 | (432.95 , 1158.10) |
| S6 | (1034.95 , 91.85) | C2 | (346.95 , 1158.10) |
| S5 | (1120.95 , 91.85) | C3 | (260.95 , 1158.10) |
| S4 | (1206.95 , 91.85) | S30 | (174.95 , 1158.10) |
| S3 | (1292.95 , 91.85) | S29 | (88.95 , 1158.10) |
| S2 | (1295.95 , 196.10) | S28 | (88.95 , 1056.10) |
| S1 | (1295.95 , 282.10) | S27 | (88.95 , 970.10) |
| TEST | (1295.95 , 368.10) | S26 | (88.95 , 884.10) |
| PB | (1295.95 , 454.10) | S25 | (88.95 , 798.10) |
| VDD | (1295.95 , 540.10) | S24 | (88.95 , 712.10) |
| I4 | (1295.95 , 626.10) | S23 | (88.95 , 626.10) |
| I0 | (1295.95 , 712.10) | S22 | (88.95 , 540.10) |
| I1 | (1295.95 , 798.10) | S21 | (88.95 , 454.10) |
| I2 | (1295.95 , 884.10) | S20 | (88.95 , 368.10) |
| I3 | (1295.95 , 970.10) | S19 | (88.95 , 282.10) |
| R0 | (1295.95 , 1056.10) | S18 | (88.95 , 196.10) |



应用线路图



1. VDD=3.0V

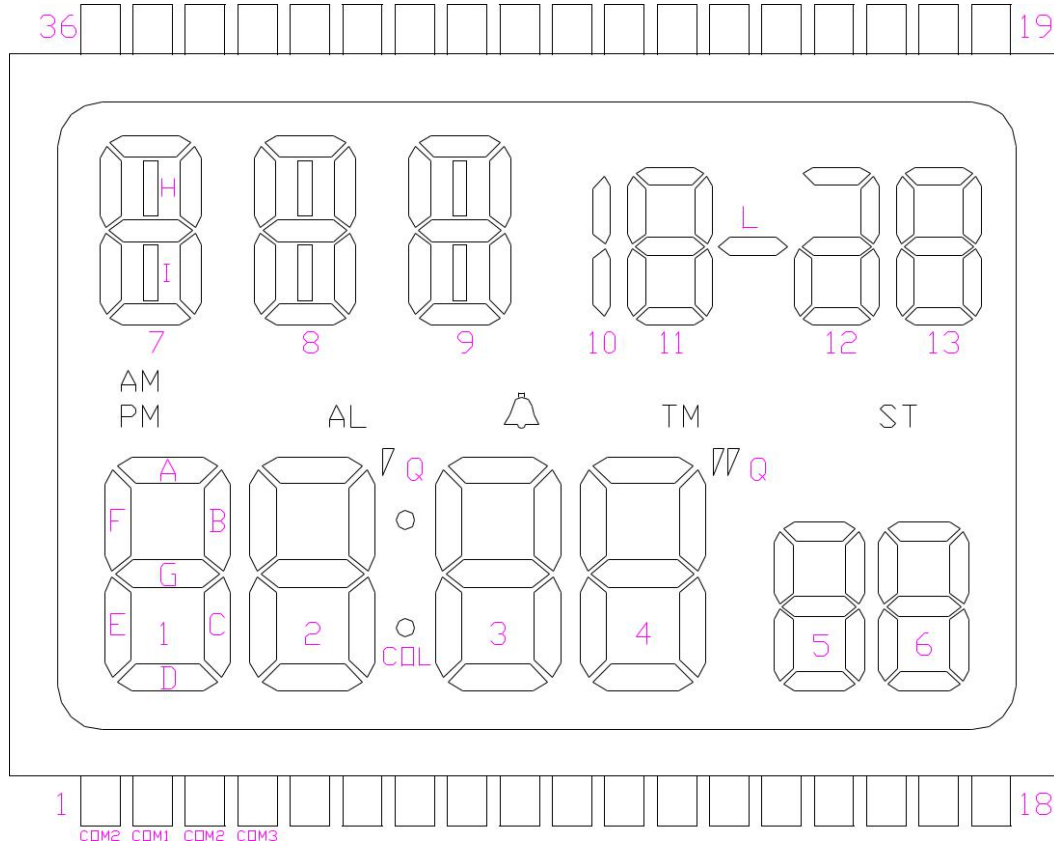
2 晶振需距离晶片最近，且尽量避免与 LCD 线路和响闹线路放置一起。

3.绑定选择描述:

BOP 接 VDD: 有年份;BOP 接 GND: 无年份。



LCD 示意图





LCD 表格:

| LCD PIN | I.C PAD | COM1 | COM2 | COM3 |
|---------|---------|------|------|-------------|
| 1 | C2 | | C2 | |
| 2 | C1 | C1 | | |
| 3 | C2 | | C2 | |
| 4 | C3 | | | C3 |
| 5 | S32 | F1 | E1 | A1/D1 |
| 6 | S31 | B1 | G1 | C1 |
| 7 | S30 | F2 | E2 | D2 |
| 8 | S29 | A2 | G2 | C2 |
| 9 | S28 | B2 | COL | E3 |
| 10 | S27 | F3 | G3 | A3/D3 |
| 11 | S26 | B3 | C3 | E4 |
| 12 | S25 | F4 | G4 | D4 |
| 13 | S24 | A4 | B4 | C4 |
| 14 | S23 | F5 | E5 | D5 |
| 15 | S22 | A5 | G5 | C5 |
| 16 | S21 | B5 | F6 | E6 |
| 17 | S20 | A6 | G6 | D6 |
| 18 | S19 | D13 | B6 | C6 |
| 19 | S18 | C13 | G13 | B13 |
| 20 | S17 | E13 | F13 | A13 |
| 21 | S16 | D11 | C12 | B12 |
| 22 | S15 | C11 | E12 | A12/D12/G12 |
| 23 | S14 | L | B11 | A11 |
| 24 | S13 | E11 | G11 | F11 |
| 25 | S12 | Q | ST | BC10 |
| 26 | S11 | I9 | C9 | B9 |
| 27 | S10 | D9 | G9 | A9 |
| 28 | S9 | E9 | F9 | H9 |
| 29 | S8 | I8 | C8 | B8 |
| 30 | S7 | D8 | G8 | A8 |
| 31 | S6 | E8 | F8 | H8 |
| 32 | S5 | I7 | C7 | B7 |
| 33 | S4 | D7 | G7 | A7 |
| 34 | S3 | E7 | F7 | H7 |
| 35 | S2 | - | AM | TIMER |
| 36 | S1 | AL | PM | CHIME |

LCD Voltage=3.0V

LCD Duty = 1/3

LCD Bias = 1/2